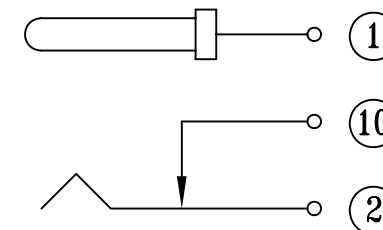
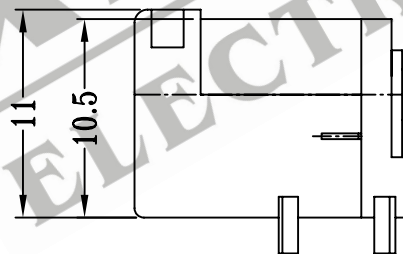
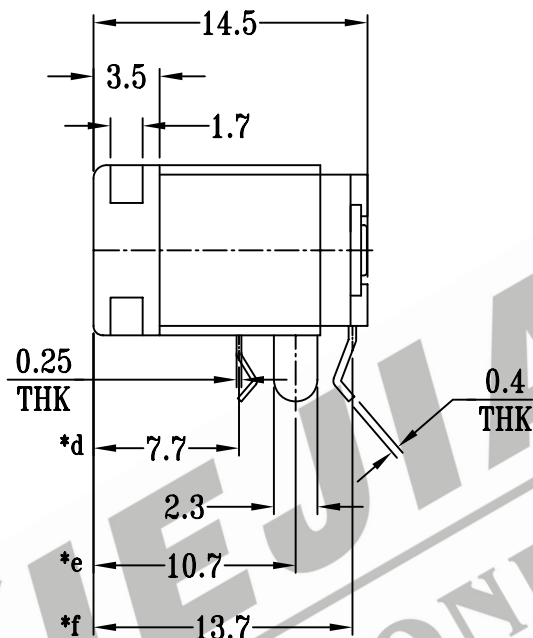
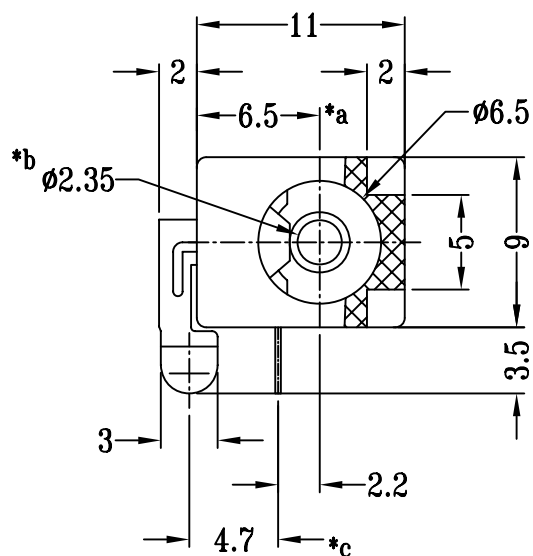
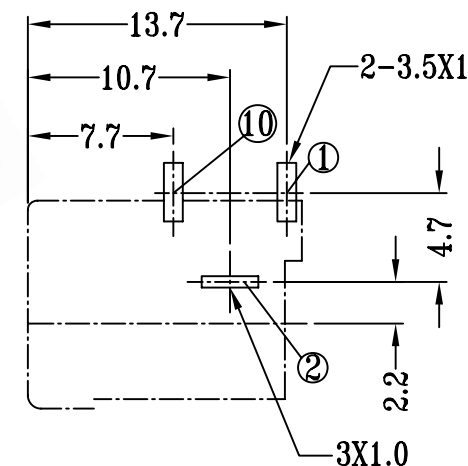


CAD FILE:



SCHEMATIC



P.C.B LAYOUT

注：“*”表示关键尺寸（6个）

8					TOLERANCE	SHENZHEN XIEJIA ELECTRONICS CO.,LTD.				
7					UNLESS SPECIFIED					
6	PLUG PIN	BRASS	1	Ni PLATED	WITHIN: 1.5±0.1mm	ISSUE	DATE	DESCRIPTIONS OF REVISION		APPD.
5	CONTACT	BRASS STRIP	1	Ag PLATED OVER Ni PLATED	OVER : 1.5±0.2mm					
4	TERMINAL	BRASS STRIP	1	Ag PLATED OVER Ni PLATED	TITLE : DC POWER JACK		UNIT : mm	DRWG NO.: XJ-DR-DS248-00		
3	SPRING TERMINAL	PBS STRIP	1	Ag PLATED OVER Ni PLATED	MODEL: DS-248		SCALE: 5:2	DWN.	ZHOUYU	2003-9-21
2	COVER	NYLON+F.G+94V0	1	BLACK	ALL MATERIALS MUST BE COMPLIANT TO ROHS		APPD.	CHK'D	FANGYING	2003-9-21
1	CASE	NYLON+F.G+94V0	1	BLACK				KANGXINAN	2003-9-21	
NO.	PARTS	MATERIALS	Q'TY	FINISH						